

# Be Heard, Not Seen

PSB CustomSound In-Wall Speaker System

## CW363 - 6.5" Coaxial Speaker System

The CW363 is a sophisticated 3-way in-wall system. A unique tweeter waveguide swings 30 degrees left and right (60 degrees total) to aim sonic energy toward the listening area. This SonicGuide™ is designed for an optimum amount of directivity control and to give consistent response whether aimed straight out or canted full left or right. Secondly, both this tweeter in its SonicGuide and a 3" midrange are mounted on a 6 1/2" rotating baffle. This gives the ability to mount the system vertically or horizontally at any height on a wall and by turning the baffle and angling the tweeter, aim sound precisely to the listener. The 6 1/2-inch woofer with a fiberglass textured polypropylene cone ensures high power handling and extended bandwidth.

"Dog leg" style mounting clips ensure quick and easy mounting.

The CW363 has 2 toggle switches used to fine tune midrange and treble level. Each has 2 positions with 2 dB separation.

In-wall loudspeakers must deal with limited space within the confines behind the wall. Wall cavities are not built to any standard volume so open back in-wall speakers must work within a wide range of wall cavity volumes. PSB accomplishes this by giving the woofers higher mass and stiffness than with conventional "in room" enclosures. Extensive simulations and testing have shown that our designs deliver high-performance sound quality with a broad range of wall cavity volumes. The CW363 can be used with the CWS8 subwoofer/CWA-1 subamplifier combination.

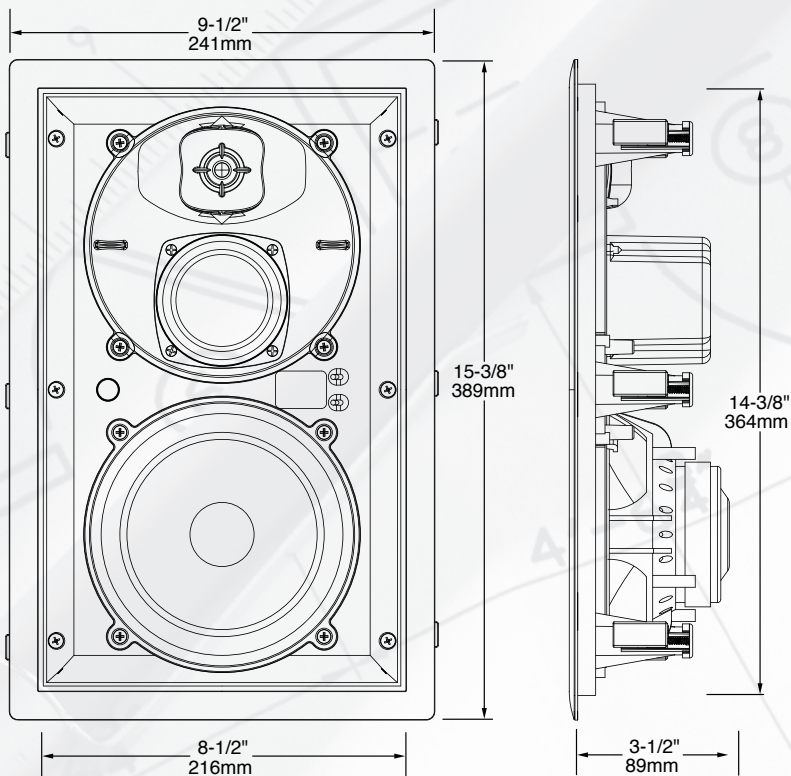
The CW363 was engineered to have a well balanced sonic signature for maximum transparency and be a great match to any other PSB product.



# CW363 - 6.5" Coaxial Speaker System

- Perfect balance at the listener location with rotatable midrange-tweeter assembly
- SonicGuide™ mounted 3/4 inch pivoting tweeter
- Three Driver, 3-way system with stiff fiberglass textured polypropylene cones, higher cone mass and enhanced motor strength to optimize them to their restricted enclosure volume
- Performance Enclosure and new construction bracket available
- Midrange and tweeter switches allow for response adjustments

Frequency Range (-6dB):	50-21,000Hz
Recommended Power:	20-125 Watts
Impedance (Nominal):	4 Ohms
Sensitivity (2.83V @1m):	87dB SPL
Drivers:	6-1/2" Woofer 3" Midrange 3/4" Dome Tweeter
Overall Dimensions (W x H x D):	9-1/2 x 15-3/8 x 3-1/2"
Cut-out Dimensions (W x H):	8-1/2 x 14-3/8"



## Installation Notes

- Try to install the systems at a height between seated and standing ear level.
- Optimal distance between speakers should approximately equal the distance from the listening area to the wall.
- Make a small exploratory hole and check for obstructions in wall cavity before cutting mounting hole.
- Mounting template provided.
- Lightly fill wall cavity with fiberglass 2 feet above and below system. Use standard 4" fiberglass split to half thickness. Use 1" thick fiberglass behind system.
- Adjust electric screwdrivers to appropriate torque. Tighten mounting screws firmly but do not over tighten!
- Direct pivoting tweeter towards listening area.
- The Midrange/Tweeter array should be rotated until the listener is on the bisecting plane between midrange and tweeter.
- Midrange and treble switches can be adjusted to suit room acoustics and personal taste.
- See manual for more installation hints.

To Reach US Customer Service dial 1 888 772 0000 ext 4445 or 4342

PSB Speakers reserves the right to change specifications or features without notice.

© 2006 PSB Speakers, a division of Lenbrook Industries Limited.

PSB is a registered trademark of Lenbrook Industries Limited. Printed in Canada 08/06. All rights reserved.

No part of this publication may be reproduced, stored or transmitted in any form whatsoever without the written permission of PSB Speakers 875 CW363 data.

[www.pbspeakers.com](http://www.pbspeakers.com)

1 888 772 0000

**psb**  
**SPEAKERS**